

Electromagnetic metering pumps **Electromagnetic metering pumps** **with 100% watertight construction**

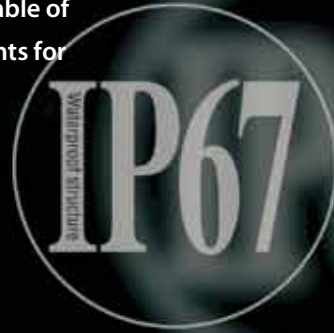


The EK series electromagnetic metering pumps are constructed to be perfectly watertight.
The EK series is the world's first plastic resin electromagnetic metering pumps
that are capable of being used outdoors.
They can be used widely in various facilities
and plants for water treatment, surface treatment and so forth.



Electromagnetic metering pumps with 100% watertight construction

The EK series electromagnetic metering pumps are constructed to be perfectly watertight. Conventional electromagnetic pumps are thought to be vulnerable to exposure to external liquids, which means that they are unsuitable for outdoor use. To address this weak point, we have done our best to make the controller unit and the drive unit fully watertight and moisture proof. As a result, the EK series is the world's first plastic resin electromagnetic metering pumps that are capable of being used outdoors. They can be used widely in various facilities and plants for water treatment, surface treatment and so forth.



Waterproof structure (equivalent to IP67)

By integrating a one-piece pump body, sealing portions are reduced in number to prevent liquids from entering due to sealing defects. A rubber gasket is provided between the pump head and the bracket to prevent water from entering through the periphery of the pump head.

To keep the controller unit watertight, a plastic cover with gasket is provided as standard equipment.

The adoption of membrane switches for the controller panel is another measure for the prevention of liquid penetration.

Note: Be sure to close the plastic cover during operation.

High resolution

For discharge flow adjustment, a dual control system which controls the length of stroke and the number of strokes is employed. Since stroke by stroke adjustment is possible, the discharge rate can be controlled in a wide range from a minimal flow rate to a maximum discharge.

Controller

The controller has a CPU. Both the stop function and the external function are included as standard equipment. As the display for the number of strokes, a high-temperature resistant LCD is employed to allow long-term exposure to the direct rays of the sun.

Moistureproof structure

The electronic parts and printed board have been molded with resin.

This prevents dew condensation and short-circuiting caused by atmospheric gas.



EK-B11PC



EK-B11VC

High-tech combination of pump technology and electronics technology



SUS 316 type

Pump unit

Pump head

Four types, PVC, GFRPP, PVDF and Stainless steel 316 are available.



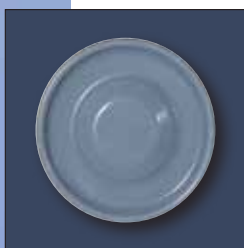
PVDF type

GFRPP type

PVC type

Diaphragm

Use of the proven diaphragm seal design of motor-driven process metering pumps gives reliability in a wider range of applications. EPDM coating on the diaphragm ensures great chemical resistance and durability.



Valve

A two-stage valve system, which has high checking ability, is used. There are two types of valve assemblies, i.e., for acid liquid and for alkaline liquid.

Air vent valve

The smaller flow rate types (to the EK-21) have air vent valves as standard equipment. Air in the pump chamber can be easily released simply by turning knob.



Note: For SUS316 type, airvent valve is available for all pump sizes.

Controller unit

Controller

A CPU is mounted to raise the resolution and promote functional diversity.

Control panel

A LCD suitable for use under high temperature is also weather-tight and easy for the operator to read. To protect the controller portion from external liquids, membrane switches are used.

Stroke length adjusting dial

The large adjusting dial is easy to operate. Dual control of the number of strokes as well as the length of stroke allows a wide range of discharge adjustment.

Controller cover

All the models have controller covers as standard equipment.

Connector

Sealability has been improved by the adoption of an IP68 connector.

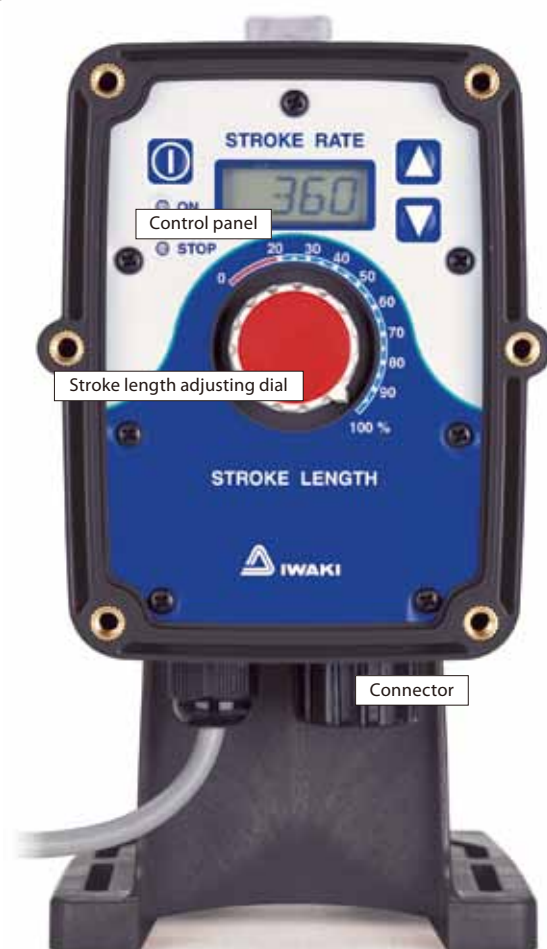
Drive unit

Solenoid

A coil and a thermal protector, insert-molded by resin, ensure insulation. For the convenience in recycling, the resin portion and the metal portion are constructed to be easily separable.

Pump body

The body is in a PPE case; this material offers strong protection against ultraviolet rays and has high chemical resistance. All of the assembled portions are attached with rubber seals; its watertightness is equivalent to IP67.



Control panel

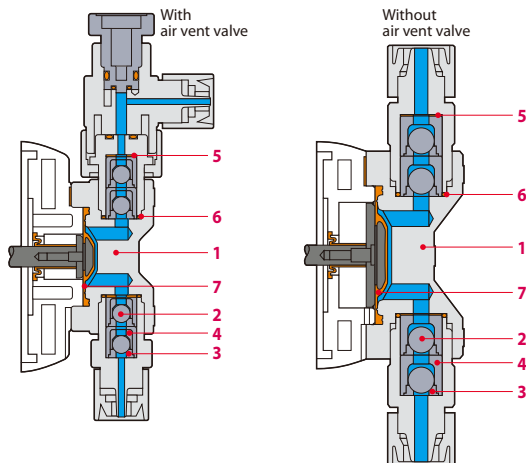
Stroke length adjusting dial

Connector

Wet-end materials

	VC	VH	PC	PH	TC	SH
1 Pump head	PVC	PVC	GFRPP	GFRPP	PVDF	SUS316
2 Valve	Alumina ceramic	Hastelloy C276	Alumina ceramic	Hastelloy C276	Alumina ceramic	Hastelloy C276
3 Valve seat	FKM	EPDM	FKM	EPDM	FKM	SUS316
4 Valve guide	PVC	PVC	GFRPP	GFRPP	PVDF	SUS316
5 Valve gasket	PTFE					
6 O ring	FKM	EPDM	FKM	EPDM	FKM	-
7 Diaphragm	PTFE coated EPDM					

Note : Illustration shows PVC and GFRPP type.



Pump identification

EK - B 11 VC - 20E P R 2

- Series name**
Iwaki electromagnetic metering pump
EK series
- Drive unit symbol**
Average power consumption / Length of stroke
B: 20W / 1mm
C: 22W / 1.25mm
- Effective diameter of diaphragm**
11: 10mm 16: 15mm
21: 20mm 31: 30mm
36: 35mm
- Wet-end material symbol**
For details, see the table of materials.
- Power supply voltage symbol**
100: AC100/110/115V single phase 50/60Hz
20E: AC220V/230V/240V single phase 50/60Hz
- Power cord terminal**
P: With plug
- Diameter of connecting tube (mm)**
1: 4x9 2: 4x6 3: 6x8
4: 8x13 5: 9x12
6: 10x12 9: Rc1/4"
- Controller unit type**
R: R type

Specifications of pump

Model		B11	B16	B21	B31	C16	C21	C31	C36	
Capacity	VC, VH, PC, PH	L/hr	2.4	3.9	6.9	12.6	4.8	8.7	16.2	25.2
		mL/min	40	65	115	210	80	145	270	420
		mL/shot	0.11	0.18	0.31	0.58	0.22	0.4	0.75	1.17
	TC, SH	L/hr	2.4	-	6.9	-	-	8.1	16.2	24.0
		mL/min	40	-	115	-	-	135	270	400
		mL/shot	0.11	-	0.31	-	-	0.38	0.75	1.11
Max. discharge pressure	MPa	1.0	0.7	0.4	0.2	1.0	0.7	0.35	0.2	
Stroke length (Effective adjustment range)	mm	1 (40-100%)				1.25 (30-100%)				
Stroke rate		1-360spm								
Power supply (common to 50/60Hz)		AC100V / 110V / 115V or 220V / 230V / 240V single phase								
Insulation type, etc.		E type insulation / with built-in thermal protector / with 2.0 m power cord								
Average power consumption	W	20				22				
Connection (Applicable tube diameter)	VC, VH	mm	4x6, 4x9, 6x8			8x13, 9x12		4x6, 4x9, 6x8		8x13, 9x12
	PC, PH	mm	4x6, 4x9			8x13, 9x12		4x6, 4x9		8x13, 9x12
	TC, SH	mm	4x6	-	4x6	-	-	4x6	10x12	
Thread connection	SH		Rc1/4"	-	Rc1/4"	-	-	Rc1/4"		
Mass	kg	2.8				3.7				

Note 1: The maximum discharges are values with clear water and under maximum discharge pressures. Under lower discharge pressures, larger amounts than the above are discharged.

Note 2: To prevent overfeeding, discharge pressure should be 0.12 MPa or higher. (For B31 and C36: 0.05 MPa or higher.) If these levels are not reached, make sure to use a check valve (optional item).

Note 3: Above mass are PVC, GFRPP & PVDF type. Please contact Iwaki for SUS316 type.

Operating Conditions

• Liquid temperature range VC/VH : 0 to 40°C, PC/PH/TC/SH : 0 to 60°C (Without dew condensation.)

• Ambient temperature range VC/VH : 0 to 45°C, PC/PH/TC/SH : 0 to 50°C

Specifications of controller

Operational function	Function	MANUAL (Manual operation) EXT (Operation by external signals) STOP (Operation to be stopped by external signals)
	Switching	Selection by operating keys (UP and DOWN keys) START / STOP key (Membrane)
Control function	Setting	• MANUAL The number of strokes between 1 and 360 spm • EXTERNAL Digital input operation 1 : 1 (No pulse to be stored)
	Stop	Stop contact input stops pump operation.
	Highest SPM	360 spm.
Input	Pulse	No-voltage contact or open collector
	Stop	Level sensor : No-voltage contact or open collector
Connection	External connection	Terminal connector connection (Original type)

Operating Conditions

• Ambient temperature range : 0 to 50°C

• Ambient humidity range : 35 to 95% RH (Without dew condensation inside the controller.)

Accessories

Check valve CA / CB / CS

This has the function of a nonreturn valve and prevents siphon and overfeed.

CA : Available in PVC and CFRPP.



CB : In-line type to be connected in the middle of a hose; made of PVC or CFRPP.



CS : Made of stainless steel for SH type.



Specifications

Model	Connection		Set pressure MPa	Material			Applicable pump
	Inlet mm	Outlet mm		Body	Spring	O-ring	
CA-1VC (1V)	4x6	R3/8 and R1/2	0.17 ±0.04	PVC (CFRPP)	Hastelloy C276	FKM	EK-B11, B16, B21, C16, C21
CA-1VE (1E)	4x9					EPDM	
CA-2VC (2V)	8x13					FKM	
CA-2VE (2E)	9x12	EPDM	0.17 ±0.04	PVC (CFRPP)	Hastelloy C276	FKM	EK-C31
CA-2VCL (2VL)	8x13	EPDM					
CA-2VEL (2EL)	9x12	EPDM					
CA-2VCL (2VL)	8x13	R3/8 and R1/2	0.05 +0.04 -0.03	PVC (CFRPP)	Hastelloy C276	FKM	EK-B31, C36
CA-2VEL (2EL)	9x12					EPDM	
CB-1VC (1V)	4x6					4x6	
CB-1VE (1E)	4x9	4x9	EPDM				
CB-2VC (2V)	8x13	8x13	FKM	EK-C31			
CB-2VE (2E)	9x12	9x12	EPDM				
CB-2VCL (2VL)	8x13	8x13	FKM		EK-B31, C36		
CB-2VEL (2EL)	9x12	9x12	EPDM				
CS-15	Rc1/4	Rc1/4	0.2 ±0.03	SUS316	Hastelloy C276	—	EK-B11, B21, C21, C31
CS-15L							

Siphon preventing valve BVC

Made of PVC or GFRPP consisting of non-metallic parts.



Specifications

Model	Connection		Set pressure MPa	Material			Applicable pump
	Inlet mm	Outlet		Body	Spring	O-ring	
Note BVC-1 □□	4x6 6x8 9x12	R3/8 or R1/2	0.2 or 0.05	PVC	-	FKM or EPDM	All models

Note : Different models are available. Please contact for particulars.

Air vent valve AV

For EK-B31, C31 and C36.



Specifications

Model	Tube connection	Material	Applicable pump
AV-E30/35VC-□	8x13mm 9x12mm	PVC, FKM	EK-B31, C31, C36-VC
AV-E30/35V6-□		PVC, EPDM	EK-B31, C31, C36-VH
AV-E30/35PC-□		GFRPP, FKM	EK-B31, C31, C36-PC
AV-E30/35P6-□		GFRPP, EPDM	EK-B31, C31, C36-PH

Foot valve FS / FSP

Foot valve with a strainer.
Made of PVC or GFRPP.



Specifications

Model	Tube connection	Material	Applicable pump
FSV	4x6mm	PVC / FKM / Alumina ceramic	All models
FSE	6x8mm	PVC / EPDM / HastelloyC276	
FSPV	8x13mm	GFRPP / FKM / Alumina ceramic	
FSPE	9x12mm	GFRPP / EPDM / HastelloyC276	

Chemical tank CT

Light and strong polyethylene round tank. 25L, 50L, and 100L models are available.



CT-100N

CT-50A

CT-25A

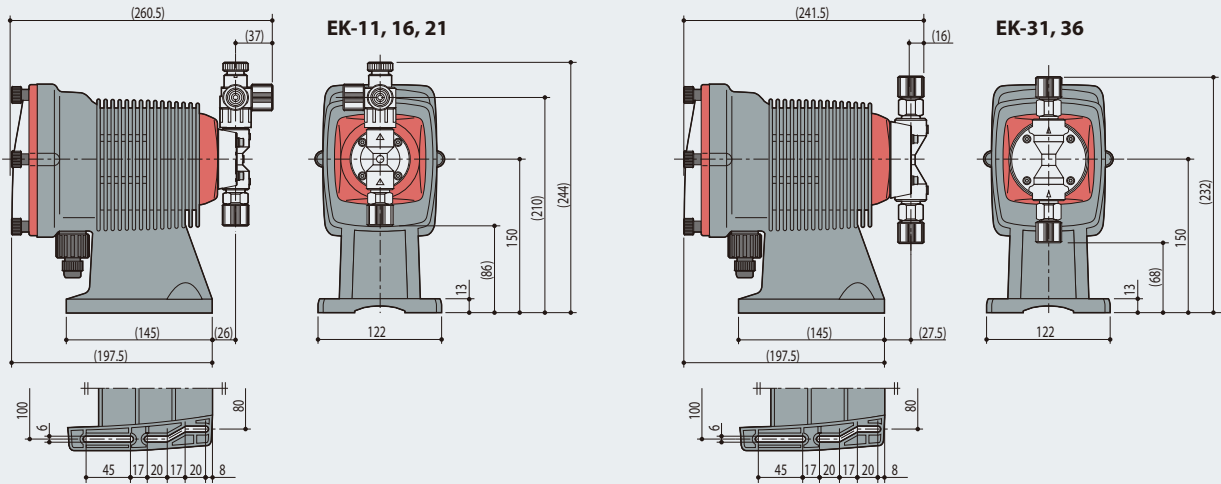
Chemical tank CT-U120N

Square polyethylene tank with a pump located below. This tank can be used safely, as it is free from gas-lock problems.

Capacity : 110L



Dimensions in mm



Note: Above dimensions are PVC, GFRPP and PVDF type. Please contact to Iwaki for dimensions of SUS316 type.

www.iwakupumps.jp

IWAKI CO.,LTD. 6-6 Kanda-Sudacho 2-chome Chiyoda-ku Tokyo 101-8558 Japan TEL : (81)3 3254 2935 FAX : 3 3252 8892

EUROPE / U.S.A.

European office	: IWAKI Europe GmbH	TEL: (49)2154 9254 0	FAX: 2154 9254 48
Holland	: IWAKI Europe (NL Branch)	TEL: (31)547 293 160	FAX: 547 292 332
Austria	: IWAKI (Austria) GmbH	TEL: (41)26 674 93 00	FAX: 26 674 93 02
Belgium	: IWAKI Belgium N.V.	TEL: (32)13 67 02 00	FAX: 13 67 20 30
Denmark	: IWAKI Nordic A/S	TEL: (45)48 24 2345	FAX: 48 24 2346
Finland	: IWAKI Suomi Oy	TEL: (358)9 2745810	FAX: 9 2742715
France	: IWAKI France S.A.	TEL: (33)1 69 63 33 70	FAX: 1 64 49 92 73
Germany	: IWAKI Europe GmbH	TEL: (49)2154 9254 50	FAX: 2154 9254 55
Italy	: IWAKI Italia S.R.L.	TEL: (39)02 990 3931	FAX: 02 990 42888
Norway	: IWAKI Norge AS	TEL: (47)66 81 16 60	FAX: 66 81 16 61
Spain	: IWAKI Iberica Pumps, S.A.	TEL: (34)943 630030	FAX: 943 628799
Sweden	: IWAKI Sverige AB	TEL: (46)8 511 72900	FAX: 8 511 72922
Switzerland	: IWAKI (Schweiz) AG	TEL: (41)26 674 93 00	FAX: 26 674 93 02
U.K.	: IWAKI Pumps (UK) Ltd.	TEL: (44)1743 231363	FAX: 1743 366507
U.S.A.	: IWAKI America Inc.	TEL: (1)508 429 1440	FAX: 508 429 1386

ASIA / OCEANIA

Australia	: IWAKI Pumps Australia Pty Ltd.	TEL: (61)2 9899 2411	FAX: 2 9899 2421
China			
Hong Kong	: IWAKI Pumps Co., Ltd.	TEL: (852)2607 1168	FAX: 2607 1000
Shanghai	: IWAKI Pumps (Shanghai) Co., Ltd.	TEL: (86)21 6272 7502	FAX: 21 6272 6929
Guangzhou	: GFTZ IWAKI Engineering & Trading Co., Ltd.	TEL: (86)20 8435 0603	FAX: 20 8435 9181
Beijing	: GFTZ Iwaki Engineering & Trading Co., Ltd. (Beijing office)	TEL: (86)10 6442 7713	FAX: 10 6442 7712
Korea	: IWAKI Korea Co., Ltd.	TEL: (82)2 2630 4800	FAX: 2 2630 4801
Malaysia	: IWAKIm Sdn. Bhd.	TEL: (60)3 7803 8807	FAX: 3 7803 4800
Singapore	: IWAKI Singapore Pte Ltd.	TEL: (65)6316 2028	FAX: 6316 3221
Indonesia	: IWAKI Singapore (Indonesia Branch)	TEL: (62)21 6906606	FAX: 21 6906612
Taiwan	: IWAKI Pumps Taiwan Co., Ltd.	TEL: (886)2 8227 6900	FAX: 2 8227 6818
Thailand	: IWAKI (Thailand) Co., Ltd.	TEL: (66)2 322 2471	FAX: 2 322 2477
Vietnam	: IWAKI Pumps Vietnam Co., Ltd.	TEL: (84)613 933456	FAX: 613 933399

()Country codes

⚠ Caution for safety use: Before use of pump, read instruction manual carefully to use the product correctly.

Actual pumps may differ from the photos. Specifications and dimensions are subject to change without prior notice. For further details please contact us.

⚠ Legal attention related to export.

Our products and/or parts of products fall in the category of goods contained in control list of international regime for export control. Please be reminded that export license could be required when products are exported due to export control regulations of countries.

